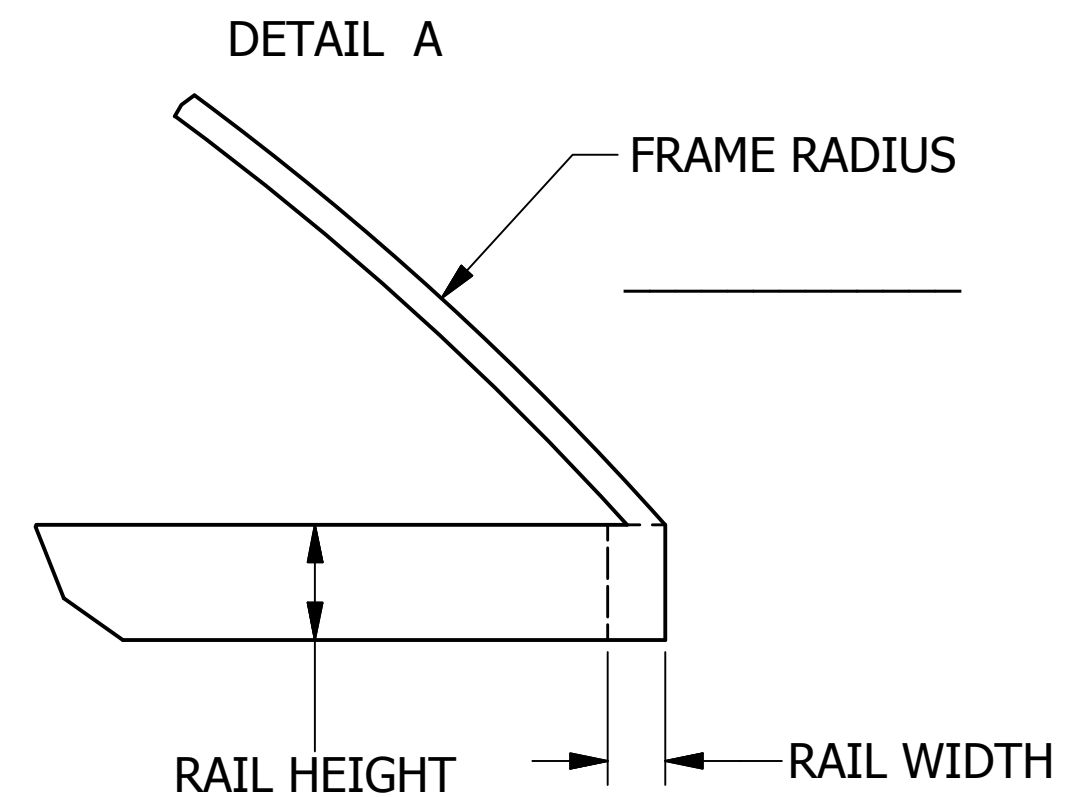
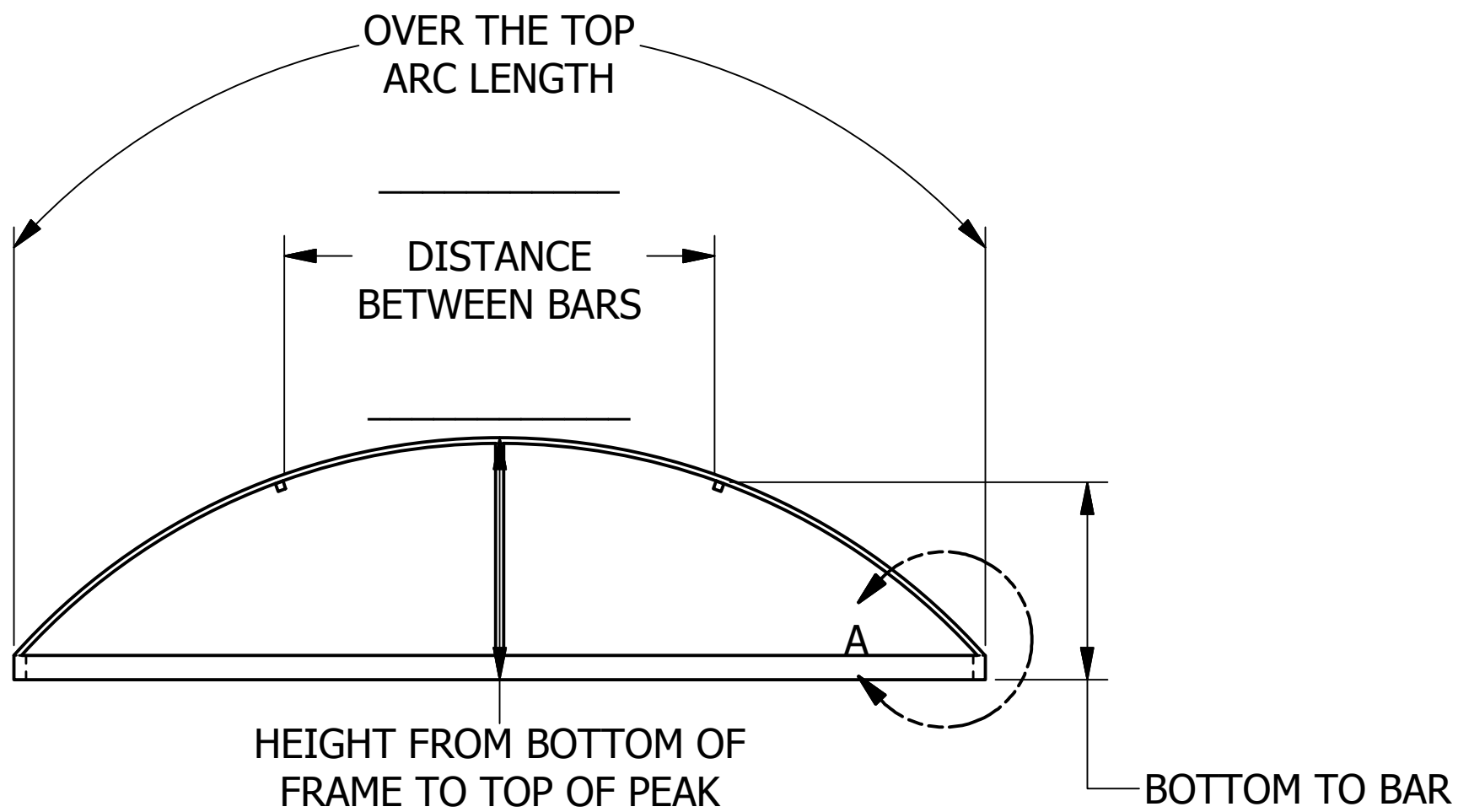
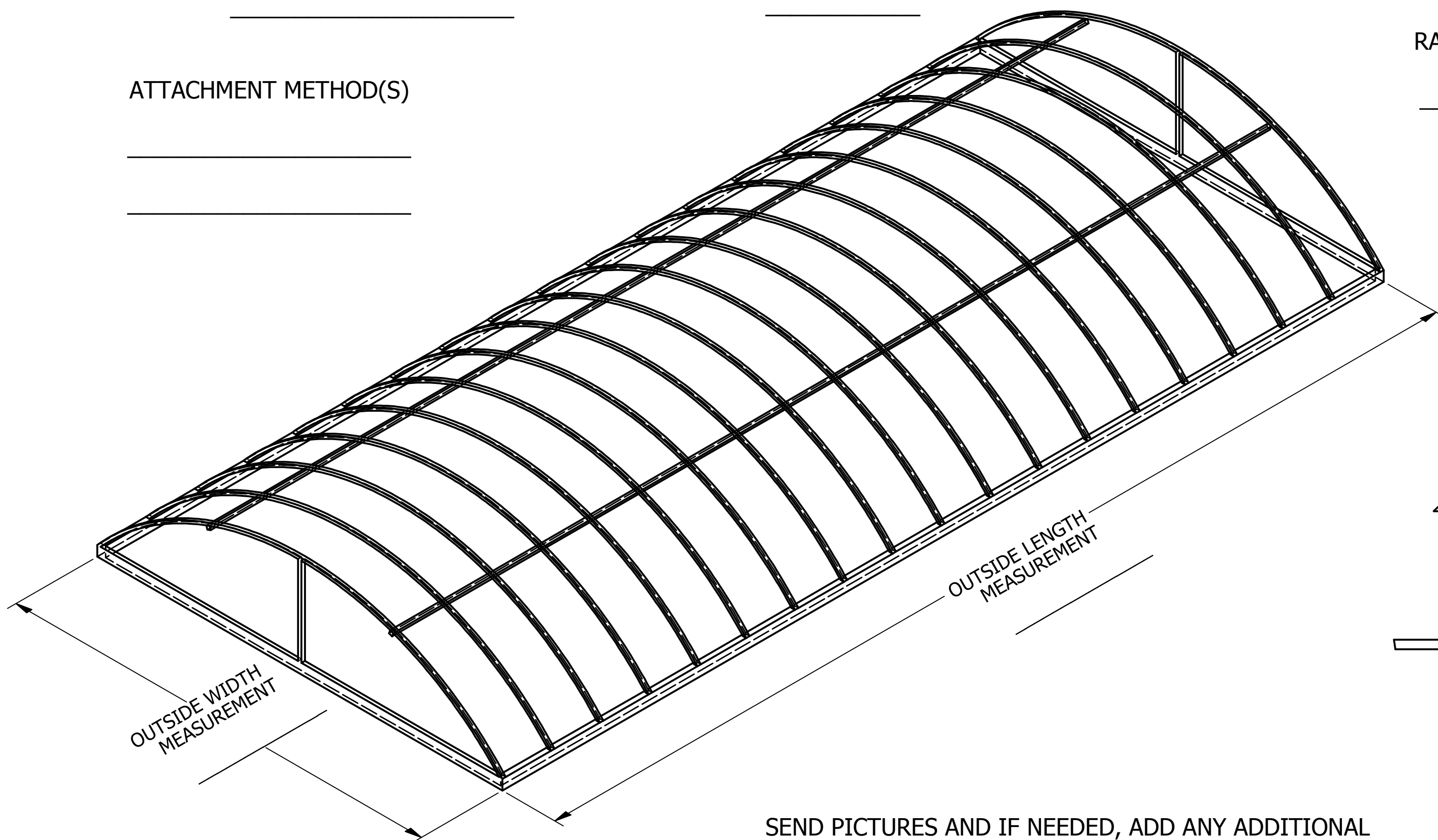


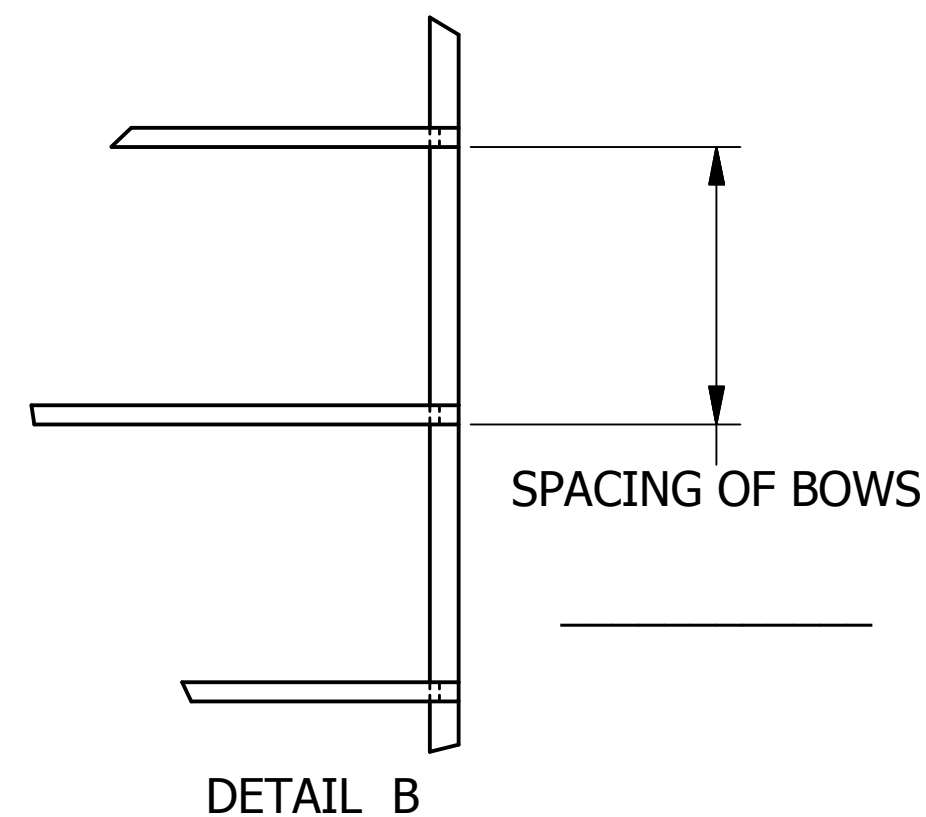
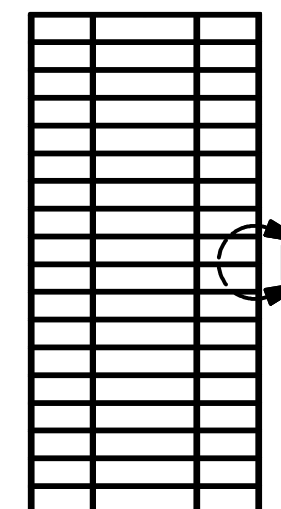
REVISIONS				
REV	ECN	DATE	DESCRIPTION	ISSUER
A	EC-00469	10/3/2016	RELEASE	RML



ATTACHMENT METHOD(S)



TOTAL NUMBER OF BOWS



SEND PICTURES AND IF NEEDED, ADD ANY ADDITIONAL FEATURES OR SKETCH THE VIEWS ON A SECOND PAGE.

TOLERANCES - UNLESS NOTED		
DECIMAL ±		
FRACTION ±		
ANGLE ±		
NOTICE	THIS ILLUSTRATION IS THE PROPERTY OF RUSH-CO, AND MUST NOT BE USED IN ANY WAY DETRIMENTAL TO RUSH-CO'S INTERESTS.	



1314 Walnut St. - Springfield, SD 57062 605-369-6000

TITLE: CLOSED END HOOP FRAME DETAIL SHEET				SIZE C
DRFT: RML	DATE 10/4/2016	SCALE	SHEET 1	PART NO: F-129
ENGR: CWG	DATE 10/10/2016		1	